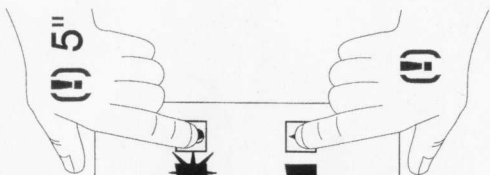




# DECOR-100 "VISUAL"

Instrucciones de uso  
User instructions  
Notice d'utilisation  
Montageanweisungen  
Montage - Gebruiksaanwijzing  
Instruções de utilização  
Libretto istruzioni  
Användar instruktion  
Instrukcja obsługi





20'

10'

5'

A

90%

80%

70%

60%

(I) 5"

(II)

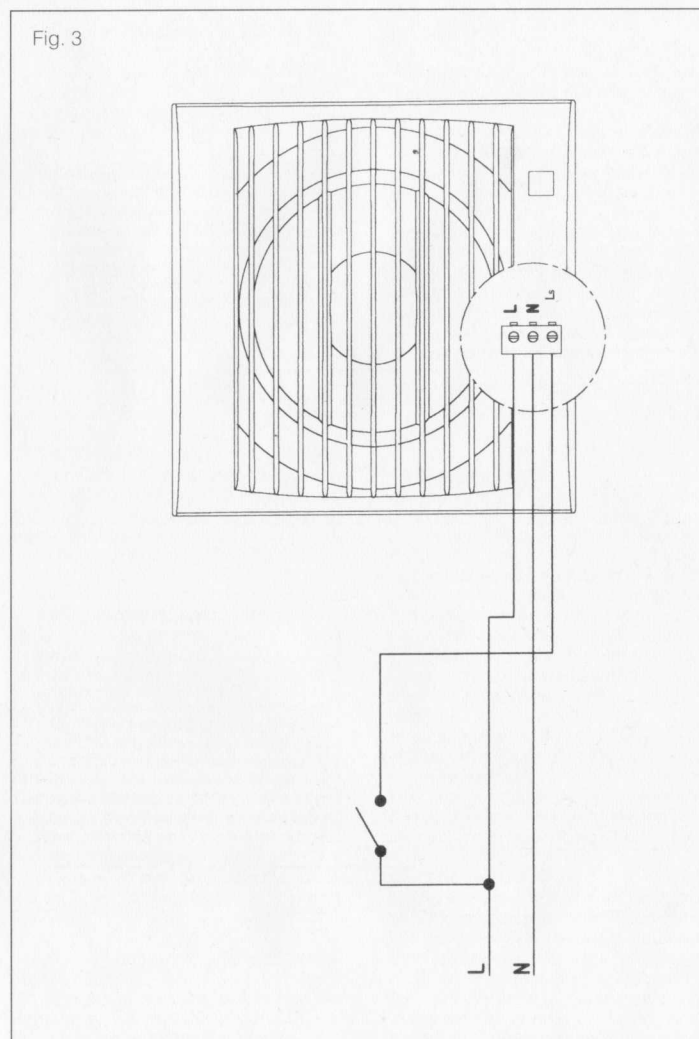
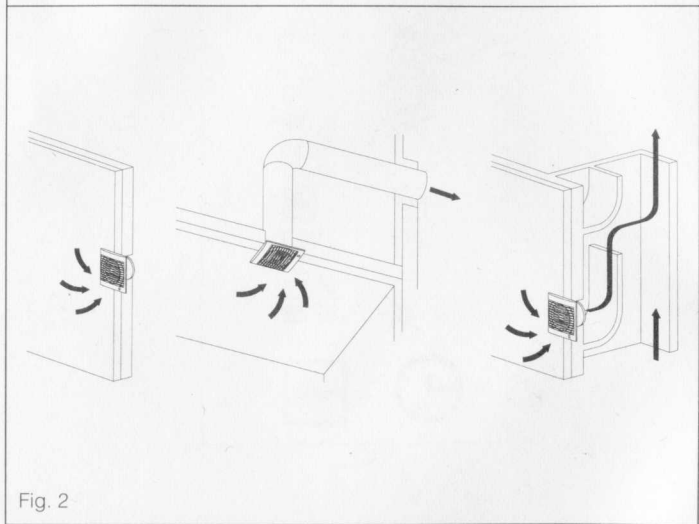
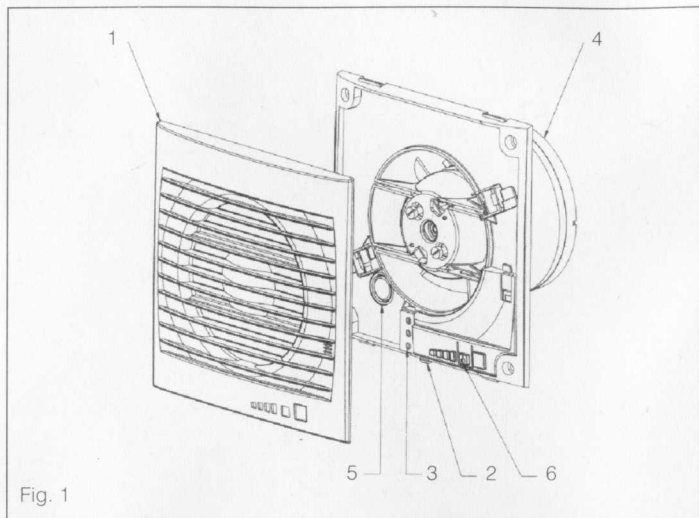


Fig. 4

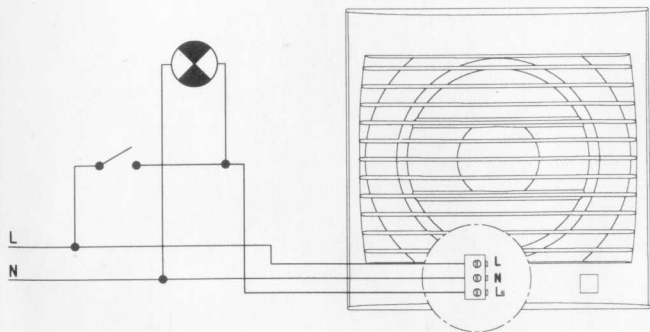
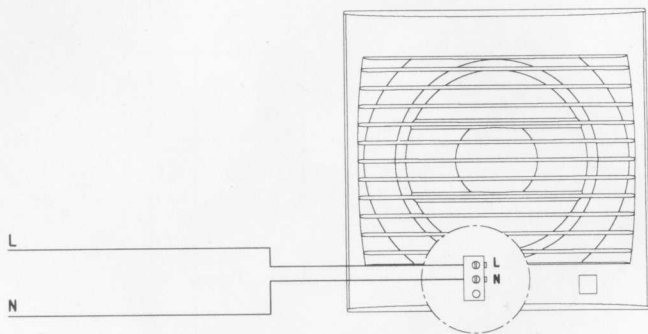


Fig. 5



## ENGLISH

### DECOR-100 CHZ "VISUAL" Axial Extractor Fans

The DECOR-100 CHZ VISUAL extractor fans are manufactured to the high standards of production and quality as laid down by the international Quality Standard ISO 9001. All components have been checked and every one of the final products will have been individually tested at the end of the manufacturing process.

On receipt of the product we recommend that you to check the following :

- 1- That it is the correct size.
- 2- That it is the correct model.
- 3- That the details on the rating label are those you require: voltage, frequency ...

The installation must be carried out in accordance with the electrical standards in force in your country.

### Installation

**IMPORTANT:** Before installing and wiring the unit, ensure that the mains electrical supply is disconnected.

Fig. 1:

- 1 : Protection grille
- 2 : Fixing screw
- 3 : Connection terminals
- 4 : Outlet with backdraught shutter
- 5 : Cable entry
- 6 : Adjustment dial

The DECOR-100 CHZ VISUAL is suitable for wall or ceiling mounting and can either discharge directly to the outside or via an individual or central ducting system (see Fig. 2).

The unit can be mounted on the wall or ceiling using the four raw plugs and screws provided.

Make a hole in the wall or ceiling of 105 mm dia.

If the unit is to be installed with individual ducting, use a standard 100 mm dia. duct.

Undo the two grille fixing screws (2), and then the corresponding front grille (1).

Ensure that there are no obstructions to the airflow and that the impeller turns freely.

Fix the extractor to the wall in such a way that it is not distorted in order to avoid unnecessary noise generation or problems with the rotation of the impeller. Ensure that the backdraught shutter opens freely and has not being damaged in transit. Introduce the mains cable through the cable entry (5) and fix the fan to the wall so that the fixing screw (2) is above.

The fan should then be wired in accordance with the wiring diagrams enclosed. Finally the external protection grille (1) should be fitted and secured with the fixing screw (2).

### Electrical connection

The DECOR-100 CHZ VISUAL fans are designed for use with a single phase electrical supply, with voltage and frequency as indicated on the rating plate of the unit. The units are manufactured with double electrical insulation (Class II) and therefore they do not need an earth connection.

The electrical installation must include an all pole switch with a contact clearance of at least 3 mm.

The electrical cable must enter the DECOR-100 CHZ VISUAL through the cable entry point (5).

Once the cable has been introduced the unit should be wired in accordance with the corresponding diagram.

### DECOR-100 CHZ

These models are provided with an electronic humidistat which can be adjusted between 60, 70, 80 or 90% RH (relative humidity) and with an automatic run-on-timer, adjustable between 5, 10 or 20 minutes. The humidistat adjustment can be made using the corresponding adjustment touch without the need to remove the front grille of the fan.

### HUMIDISTAT

The desired humidity level is selected by means of an adjustment touch (6) located on the front grill. The corresponding relative humidity level, 60-70-80 or 90%, is then visually indicated via one of four neon lights. All models are factory set as standard to a 90% relative humidity level.

### OVER-RUN TIMER

This product controls automatically the over-run time, which is proportional to the time that has been needed to bring the relative humidity level to the adjusted level, depending on which the over-run will range from 2 minutes to a maximum of 20 minutes.

### Operation

**Case 1:** Automatic operation (fig.8) In automatic operation, the humidistat causes the extractor to operate automatically when the humidity level in the room is higher than the pre-set level. The extractor will stop automatically when the humidity drops below the selected

level and after the selected period set on the over-run timer.

**Case 2:** Automatic operation as in case (1) but with the facility to override the humidistat by means of the light switch (fig.6), when the humidity level in the room is lower than the selected level. In this case, the extractor continues to operate for the selected period of time (over-run timer) after the switch light has been switched off.

- If the period of operation is less than 50 seconds then the over run timer will not operate.
- If the period of operation is more than 50 seconds then the over run timer will operate in accordance to the pre-set time period.

**ATTENTION: When the humidity rate is above the selected value, the automatic option takes precedence over the manual and the unit cannot then be switched off using a switch.**

### Maintenance

The extractor fan only requires periodical cleaning using a cloth lightly impregnated with a soft detergent.

### After Sales Service

We recommend you not to try to dismantle or remove any other parts than those mentioned as any tampering would automatically cancel the S&P guarantee. If you detect any fault, contact your S&P dealer.

S&P reserves the right to alter specifications without notice